

BLUEBOX UHF CYLINDRICAL ANTENNA M30



APPLICATIONS

- Industrial Automation
- Production Chains
- Data Collection
- Access Control

FEATURES

- Global UHF Frequencies:
864 – 870 MHz | 913.5 – 919.5 MHz
- IP 65 Protection Class
- Unique M30 Design
- Common SDK for all BLUEBOX Products
- BLUEBOX SHOW Application Software
- CE & FCC approved

RFID OPTION

- UHF (ISO 18000-6B & ISO 18000-6C EPC C1 GEN2)

PRODUCT DESCRIPTION

The BLUEBOX M30 UHF Antenna is a fixed and compact UHF RFID antenna for industrial automation processes.

In combination with RFID readers the M30 UHF Cylindrical Antenna can achieve reading distances of up to 20 centimeters within industrial environments.

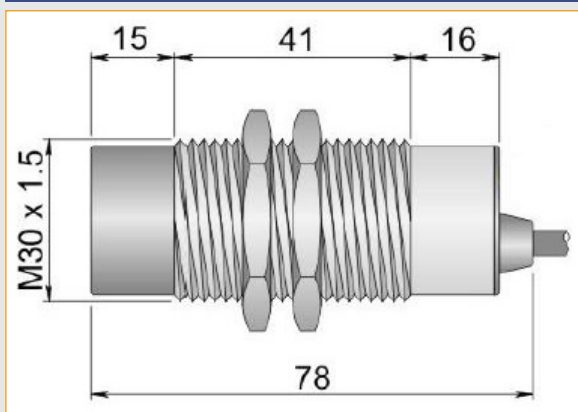
Typically this device will be used within the industrial automation at production lines. Another wide spread applications are the data collection and access control.

The device comes with a TNC FEMALE antenna connector. This RFID component allows a flexible and fast integration into many existing applications with its easy to install cylindrical M30 housing.

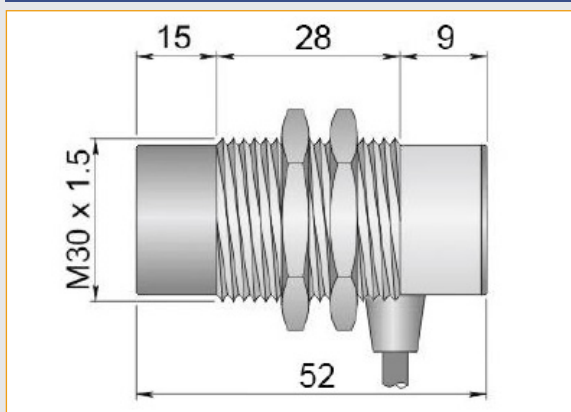
The BLUEBOX series is an interchangeable system of RFID components and compact units. It has a command protocol, that is compatible through the whole BLUEBOX family. Further customization of firmware and hardware is possible on request and on a project basis.

► DIMENSIONS

9131 U | 9133 U



9132 U | 9134 U



TECHNICAL DATA

ELECTRICAL SPECIFICATIONS: ETSI/EU	
Operating Frequencies	864 – 870 MHz (ETSI)
Peak Gain	-10 dBic max
Polarization	Circular
VSWR	2.0 : 1 max
F/B Ratio	1 db max
Input Impedance	50 ohm
Axial Ratio at Boresight	3 db max
Connector	TNC female

ELECTRICAL SPECIFICATIONS: FCC/US	
Operating Frequencies	913.5 – 919.5 MHz (FCC)
Peak Gain	-10.5 dBic max
Polarization	Circular
VSWR	2.0 : 1 max
F/B Ratio	1 db max
Input Impedance	50 ohm
Axial Ratio at Boresight	3 db max
Connector	TNC female

MECHANICAL SPECIFICATIONS	
Housing Material	Nickelled Brass + PC
Overall Dimensions	M30 × 1.5 × 90.15 mm M30 × 1.5 × 52 mm (90° Version)
Weight	200 g
Protection Class	IP65

ENVIRONMENTAL CONDITIONS	
Operating Temperature	- 20 °C to +55 °C
Storage Temperature	- 40 °C to +65 °C
Humidity	5 % to 95%, non-condensing

APPLICABLE STANDARDS	
EMC	EN 301489-1:2012-04 (v1.9.21) EN 301489-3:2013-12 (V1.6.1)
Radio Regulation	EN 300330-1:2015-08 (V1.8.1) EN 300330-2:2015-08 (V1.6.1)
Safety	EN 60950-1:2014-08 EN 62369-1:2010-03 EN 50364:2010-11
RoHS	EC Guideline 2011/65/EU and amendment 2015/863 EN 50581:2012 (valid till 2024-07-07) EN 63000:2018
REACH	EU Guideline 1907/2006, updated by 2018/2005/EU

*Reading distance depends on tag, antenna and environmental conditions

ORDER CODES

VERSION	ORDER CODE
ETSI (864 – 870 MHz)	
M30 9131U (ETSI) - Size: 90.15 mm	R-IN-UHF-9131U
M30 9132U (ETSI) - Size: 52 mm	R-IN-UHF-9132U
FCC (913.5 – 919.5 MHz)	
M30 9133U (FCC) - Size: 90.15 mm	R-IN-UHF-9133U
M30 9134U (FCC) - Size: 52 mm	R-IN-UHF-9134U

iDTRONIC GmbH
Ludwig-Reichling-Straße 4
67059 Ludwigshafen
GERMANY

Phone +49 (0) 621 66 90 09 4-0
Fax +49 (0) 621 66 90 09 4-9
E-Mail: info@idtronic-rfid.com
Web: idtronic-rfid.com

For further information & prices, please contact info@idtronic-rfid.com

Subject to alteration without prior notice
©2019 iDTRONIC GmbH