

EMBEDDED LF RFID READER M890 SERIES

APPLICATIONS

- Asset Tracking
- Access Control
- Electronic Locks
- Personalization
- PC Log On

FEATURES

- Short Range Applications
- 3.3 ~ 5 V Power Supply
- RFID LF: 125 + 134.2 kHz
- 10 cm Reading Range
- TTL | RS232 | USB VCP

RFID OPTIONS

- Read & Write:
Hitag-S 256, Hitag-S 2048,
Hitag1
- FDX-B: ISO/IEC 11784/11785
- Read Only:
EM4100, EM4200, TK4100

PRODUCT DESCRIPTION

The iDTRONIC Embedded RFID LF Reader M890 Series is a module series for short range applications. Thanks to its tiny size and single-face laying components layout, it allows for embedding in various applications and devices. Especially for access control or asset tracking solutions, is this LF module applicable.

The LF module series is available in 125 kHz or 134.2 kHz RFID LF Frequency range. They also support read-only EM4100, EM4200, TK4100 and FDX-B. The LF Module can create ISO/IEC 11784/11785 from Hitag-S transponders. The module supports all functions of the Hitag family. It achieves reading ranges of up to 10 cm (depending on type of transponder).

The embedded RFID LF reader M890 series features one external antenna port. iDTRONIC Professional RFID offers a wide choice of antennas suitable for any purpose.

The Module M890 is available with TTL, USB VCP or RS232 interface. In low power mode, the M890 modules consumes less than 1 mA.

iDTRONIC's hardware comes with a useful SDK for the development of controller, Linux or Windows based applications. Beside the documentation, command protocols and source codes, the SDK includes a Windows based demo application with full functionality over all supported LF RFID standards.

APPLICATION EXAMPLES

ACCESS CONTROL



Due to its small dimensions and its wide-range of interfaces, the M890 module can be installed in all kinds of existing systems, locks, locking systems or devices.

Applications for personal or hotel card identification require a system that can authorize the right person for a specified access. The embedded module M890 can read these information reliably and securely.

ASSET TRACKING



Assets and small devices within working areas or workstations have to be organized properly. The LF Module Series offers the perfect solution for the application.

With its small dimensions and cutting edge microcontroller, it is embeddable in a wide range of tools or devices for production.

TECHNICAL DATA

ELECTRICAL SPECIFICATIONS			
	TTL	USB	RS232
Power Supply	3.3 ~ 5 Vdc		
Power Consumption	< 45 mA	< 70 mA	< 60 mA
Operating Frequency	125 kHz + 134.2 kHz		
Reading Distance	up to 10 cm*		
Reader IC	Atmel Mega8A-MU		
RF TX Speed	5.2 kbs		
RF RX Speed	2 kbs 4 kbs 8 kbs		
Antenna	External*		
Baudrate	9600...115200 bit/s, default: 9600 bit/s		
Antenna Connector	Molex connector or stamp hole		
Antenna Inductivity	375 µH nominal value		
Interfaces	UART TTL	USB VCP	RS232
Connector	Molex Pico-Blade 53261 (PCB) 51021 (cable)	Molex Panel Mate 53780 (PCB) 51146 (cable)	Molex Panel Mate 53780 (PCB) 51146 (cable)

MECHANICAL SPECIFICATIONS			
	TTL	USB	RS232
Material	FR-4, Blue		
Dimensions	39.3 × 19.3 × 4.6 mm	53.5 × 22.2 × 5 mm	53.5 × 22.2 × 5 mm
Weight	4 g	5 g	5 g
Mounting Options	Soldering Pads (Suitable for SMD productions)		

ENVIRONMENTAL CONDITIONS	
Operating Temperature	-20 °C ... +80 °C
Storage Temperature	-40 °C ... +85 °C
Humidity	up to 95 %, non condensing
MTBF	200'000 h

*READING DISTANCE DEPENDS ON TAG, ANTENNA AND ENVIRONMENTAL CONDITIONS

SUPPORTED STANDARDS TAGS	
Read-only	EM4100, EM4200, TK4100
Read Write	Hitag-S 256, Hitag-S 2048, Hitag1
FDX-B	ISO/IEC 11784/11785

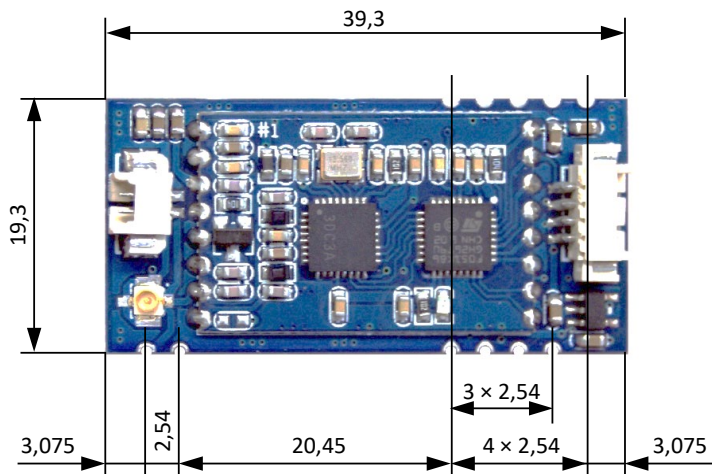
SDK INFORMATION	
Supported OS by Silabs USB VCP Driver	Windows 7/8/8.1/10 (v10.1.8) Windows 7/8/8.1/10 (v6.7.6) Windows XP/Server 2003 Vista/7/8/8.1 (v6.7) Windows 2K (v6.3a) WinCE (5.0, 6.0) Macintosh OSX (v5.2.4) Linux (3.x.x., 2.6.x) Android 4.2
Supported Languages	C++, Binary command protocol
Demo Software	Windows

FIRMWARE COMMANDS	
System	Get_VersionNum Buzzer Control LED Control Set Antenna
Read-Only Data Tags	Get UID
Hitag 1, Hitag S	Request Select Quiet ReadPage WritePage LockPage
FDX-B	Read FDX-B tag Format Hitag S tag into FDX-B tag Format Hitag S tag into ID tag

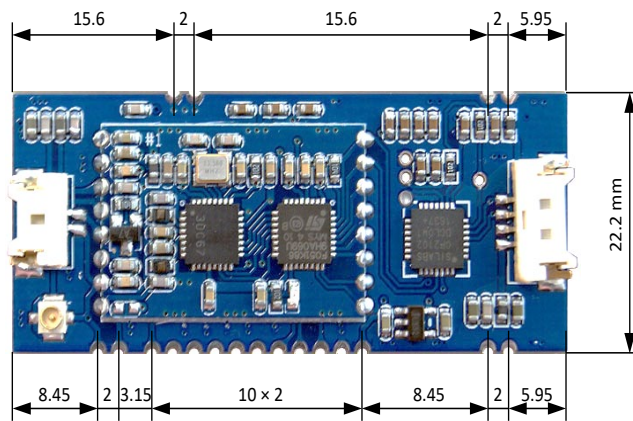
APPLICABLE STANDARDS	
EMC	EN 301489-1:2012-04 (v1.9.21) EN 301489-3:2013-12 (V1.6.1)
Radio Regulation	EN 300330-1:2015-08 (V1.8.1) EN 300330-2:2015-08 (V1.6.1)
Safety	EN 60950-1:2014-08 EN 62369-1:2010-03 EN 50364:2010-11
RoHS	EC Guideline 2011/65/EU, 2015/863/EU
REACH	EC Guideline 2018/2005/EU
Certificates	FCC, CE

MECHANICAL VIEW

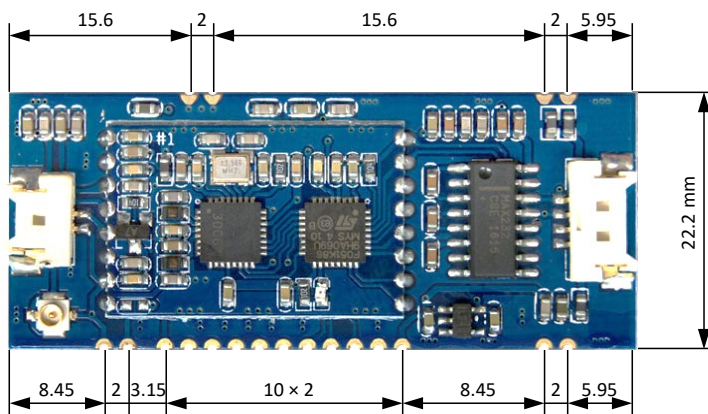
TTL



USB VCP

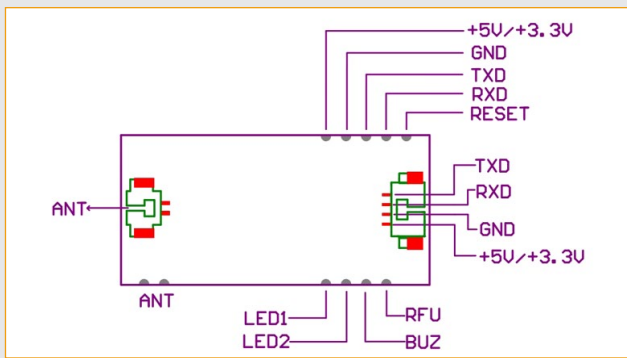


RS232

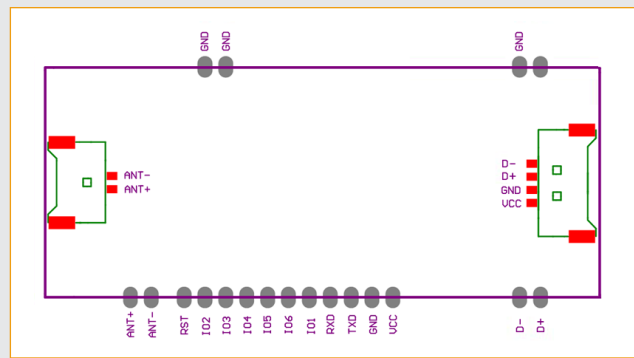


PIN LAYOUT

TTL



USB



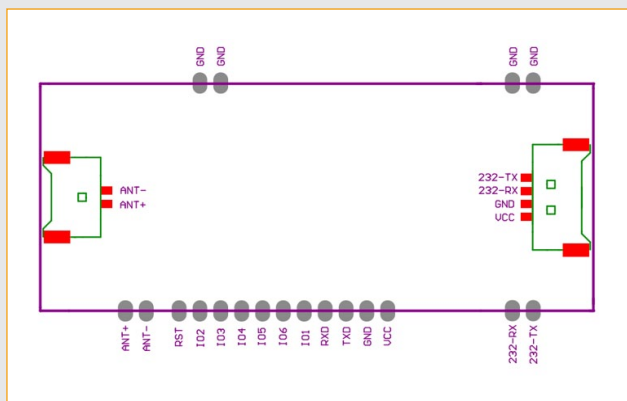
MOLEX CONNECTOR

SIGNAL	IO TYPE	DESCRIPTION
TXD	Output	UART TX (TTL Level)
RXD	Input	UART RX (TTL Level)
VCC	Power	DC 3.3 V ~ 5 V
GND	GND/Power	GND
ANT -	Output	External antenna
ANT +	Output	External antenna

MOLEX CONNECTOR

SIGNAL	IO TYPE	DESCRIPTION
D-	Output	USB D-
D+	Input	USB D+
VCC	Power	DC 3.3 V ~ 5 V
GND	GND/Power	GND
TVSS	Output	External antenna
TX1	Output	External antenna

RS232



MOLEX CONNECTOR

SIGNAL	IO TYPE	DESCRIPTION
RS232-TX	Output	UART TX (RS232 Level)
RS232-RX	Input	UART RX (RS232 Level)
VCC	Power	DC 3.3 V ~ 5 V
GND	GND/Power	GND
ANT -	Output	External antenna
ANT +	Output	External antenna

CONNECTIONS

STAMP-HOLES			
	SIGNAL	IO TYPE	DESCRIPTION
	ANT +	Output	External antenna
	ANT -	Output	External antenna
	RST	Input	Lower power reset
	IO2	Output	A group of IO used for control full color RGB Light
	IO3	Output	
	IO4	Output	
	IO5	Output	External LED
	IO6	Output	External LED
	IO1	Output	External Buzzer
	RXD	Input	-
	TXD	Output	-
	GND	GND/Power	GND
	VCC	Power	DC 3.3 V ~ 5 V
TTL	TXD	Input	UART TX (TTL Level)
	RXD	Output	UART RX (TTL Level)
USB	D-	Input	USB D-
	D+	Output	USB D+
RS232	RS232-RX	Input	UART RX (RS232 Level)
	RS232-TX	Output	UART TX (RS232 Level)

ORDER CODES

VERSION	ORDER CODE
TTL	
OEM LF Module TTL: 125 kHz	OEM-LF-M890-TTL-125
OEM LF Module TTL: 134.2 kHz	On Request: MOQ – 50 Units
USB	
OEM LF Module USB: 125 kHz	OEM-LF-M890-USB-125
OEM LF Module USB: 134.2 kHz	On Request: MOQ – 50 Units
RS232	
OEM LF Module RS232: 125 kHz	OEM-LF-M890-RS232-125
OEM LF Module RS232: 134.2 kHz	On Request: MOQ – 50 Units

iDTRONIC GmbH
Ludwig-Reichling-Straße 4
67059 Ludwigshafen
GERMANY

Phone +49 (0) 621 66 90 09 4-0
Fax +49 (0) 621 66 90 09 4-9
E-Mail: info@idtronic-rfid.com
Web: idtronic-rfid.com

For further information & prices, please contact info@idtronic-rfid.com

Subject to alteration without prior notice
©2020 iDTRONIC GmbH