



BLUEBOX UHF Long-Range Antenna

Applications

- Industrial Automation
- Supply Chain
- Asset Tracking
- Access Control
- Logistics
- Vehicle registration
- Bulk and single-tag applications
- Point of sale

Features

- Circular polarized
- Thin Design
- Up to 10 m reading range
- Easy to integrate with UHF Long-Range Controller
- Able to read out multiple disorientated tags
- Very homogenous reading field
- Extremely high front-to-back ratio

RFID Options

- 865 – 867 MHz (ETSI)
- 902 – 928 MHz (FCC)

Description

iDTRONIC's Long-Range Antenna UHF is a high-performance device which can be used in combination with BLUEBOX UHF Controllers.

It enables the UHF Long-Range reading of up to 10 meters. Through its circular polarized setting, the user will be able to read out the tags in multiple 3D orientations.

Thanks to its specification, small dimensions and robust housing, this UHF Long-Range Antenna can be used for applications like Access Control.

This antenna has been developed for applications in the area of point of sale, smart shelf applications and Kanban solutions.

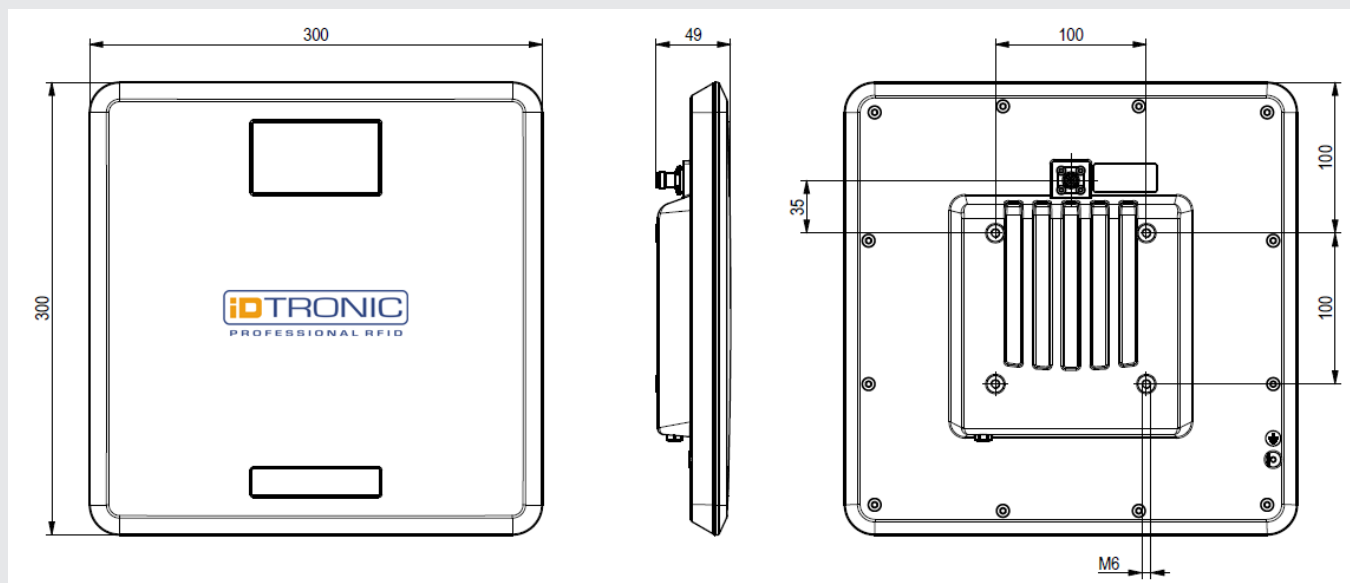
The antenna is characterised by an extremely homogeneous read zone which is emitted by the high front-to-back ratio. Therefore, it is suitable for static detection of multiple transponders.

Due to its thin design, the antenna can be integrated into different applications.

Product Pictures



Product Dimensions



Technical Data

| Electrical Specifications | |
|---------------------------|--|
| Frequency Range | 865 – 868 MHz (EU) 902 – 928 MHz (US) |
| Operating Distance | up to 10 m |
| Antenna Connector | TNC-Female |
| Antenna Gain | 6 dBic |
| Beam width | 60° / 60° |
| Axial Ratio | 1 dB |
| Front-to-Back Ratio | > 19 dB |
| Max. Input Power | +30 dBm (at antenna port) |
| Polarization | Circular; RHCP (right-hand circular polarisation) |

| Supported Transponder |
|-----------------------|
| ISO18000 - 6B |
| ISO18000 - 6C |
| EPC Class 1 Gen 2 |

| Physical / Environmental Specifications | |
|---|--|
| Dimensions | 300 mm × 300 mm × 49 mm |
| Housing-material | Antenna cover: tough, weather-resistant polymer blend Chassis: aluminium, powder coated Seals: thermoplastic elastomer |
| Weight | 1.7 kg |
| Mounting | Four M6 drill holes at intervals of 100 × 100 mm |
| Environmental Rating | IP67 |
| Operating Temperature / Storage Temperature | -20 ° to +55 °C / -40 ° to +85 °C |
| Humidity | 5 % to 95 % |

Order Codes

| Type | Order Code |
|------|----------------|
| ETSI | R-IN-UHF-9126U |
| FCC | R-IN-UHF-9127U |

iDTRONIC GmbH
Ludwig-Reichling-Straße 4
67059 Ludwigshafen
GERMANY

Phone +49 (0) 621 66 90 09 4-0
Fax +49 (0) 621 66 90 09 4-9
E-Mail: info@idtronic-rfid.com
Web: idtronic-rfid.com

For further information & prices, please contact info@idtronic-rfid.com

Subject to alteration without prior notice
©2018 iDTRONIC GmbH