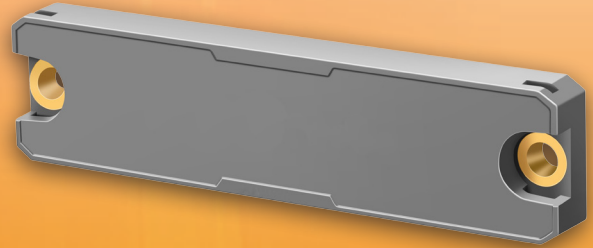


SPECIAL RFID TAG LOG TAG



APPLICATIONS

- Container Logistics Tracking
- Outdoor Device Identification
- RTI Management
- Retail and Warehousing
- On-Metal Applications

FEATURES

- Engineering Plastic Housing
- Up to 15 Meters Reading Range
- Mechanical or Adhesive Fixing
- IP68 Protection Class
- Extreme Durability

RFID OPTIONS

- UHF: ISO 18000-63, EPC Class 1 Gen2
- 865 – 868 MHz (EU); 902 – 928 MHz (US)
- Global: 865 – 928 MHz

PRODUCT DESCRIPTION

The Log Tag is the versatile and durable tag for asset tracking applications with excellent performance. It is really suitable for industrial and warehouse portals, logistics applications with container tracking and RTI management.

The integrated RFID UHF reader supports ISO 18000-63, EPC Class 1 Gen2 in the frequency areas 865 – 868 MHz (EU); 902 – 928 MHz (US). It achieves high reading ranges of up to 15 meters at on-metal and up to 8 meters on off-metal applications. The Global Version of the Log Tag works in 865 – 928 MHz areas. It achieves reading ranges of up to 10 meters.

It is IP68-rated and anti-UV designed that suitable for outdoor environments as well as exposure to water and contaminants with motor oil, salt water, sulfuric acid and sodium hydroxide. It withstands multiple drops from a height of up to 1.2 meters.

Optionally we offer an laser engraving with your logo or name as well as logo printing and data label. We can also encode your RFID tags using Standard, NDEF or Crypto-Coding.

TECHNICAL DATA

ELECTRICAL SPECIFICATIONS

Operating Frequencies	UHF: 865 – 868 MHz (EU) 902 – 928 MHz (US) Global: 865 – 928 MHz
RF Protocol	ISO 18000-63, EPC Class 1 Gen2
Chip Types	Impinj Monza R6-P (Standard) Alien Higgs-3 (On Request) Impinj Monza 4QT (Global Version)
Memory Configuration	128/96-EPC Bits extensible to 480 Bits 64/32 User Bits (Global: 512 Bits) 48 Bit Unique TID
Reading Range	<u>Standard</u> On-Metal: Up to 15 Meters* Off-Metal: Up to 8 Meters* <u>Global</u> On-Metal: Up to 10 Meters* Off-Metal: Up to 6 Meters*
Polarization	Linear

MECHANICAL SPECIFICATIONS

Dimensions	99.2 × 24 × 9.2 mm ±0.5
Weight	18.8 g
Housing Material	Engineering Plastic
Housing Colour	Cool Grey
Mounting Options	<u>Adhesive Fixing</u> • Foam Tape • Acrylic adhesive • Silicone adhesive <u>Mechanical Fixing</u> • Screws (M4.5) • Pop rivets (5MM) • Cable tie

*READING DISTANCE DEPENDS ON ANTENNA AND ENVIRONMENTAL CONDITIONS.

AVAILABLE ICS

UHF: 865 – 868 MHz (EU) | 902 – 928 MHz (US)

IC TYPE	MEMORY	MODE
Impinj Monza R6-P	64 bits	EPC Global Gen2 ISO/IEC 18000-63
Alien Higgs® 3	32 bits	EPC Global Gen2 ISO/IEC 18000-63
Impinj Monza 4QT	512 bits	EPC Global Gen2 ISO/IEC 18000-63

ENVIRONMENTAL SPECIFICATIONS

Operating Temperature	- 40 °C to + 85 °C
Survivability Temperature	- 40 °C to + 85 °C
Protection Class	IP 68 (20 °C, 1 m, 24 h)
Humidity	5% to 95% non-condensing
Shock & Vibration	MIL STD 810-G
Drop Specifications	Multiple drops to concrete: 1.2 m across the operating temperature range
Withstands exposure to	<ul style="list-style-type: none"> • Motor oil • Salt water (salinity 15%) • Sulfuric acid (10%, pH 2) • NaOH (10%, pH 13)

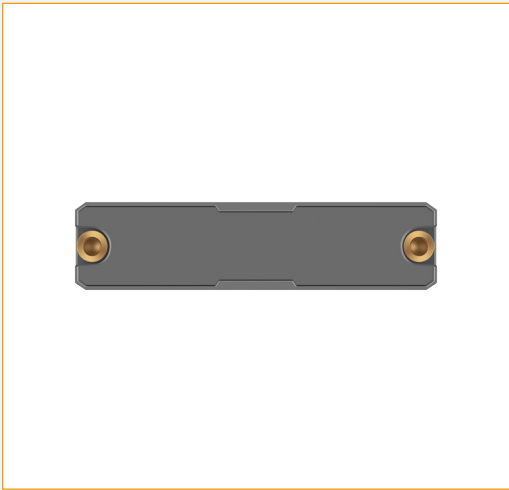
APPLICABLE STANDARDS

RoHS 2	EC Guideline 2011/65/EU and amendment 2015/863/EU, updated by 2017/2102/EU EN 50581:2012 (valid till 2024-07-07) EN 63000:2018
REACH	EU Guideline 1907/2006, updated by 2020/171/EU
Certificates	CE, FCC

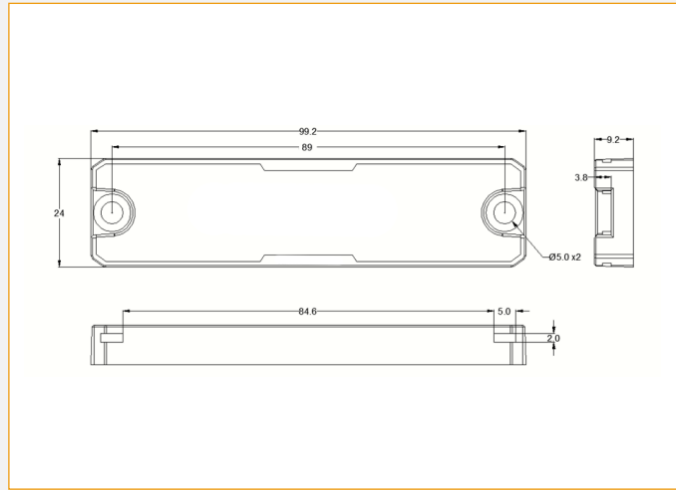
PERSONALIZATION OPTIONS

- Laser Engraving
- Pre-Encoding
- Data Label
- Logo Printing

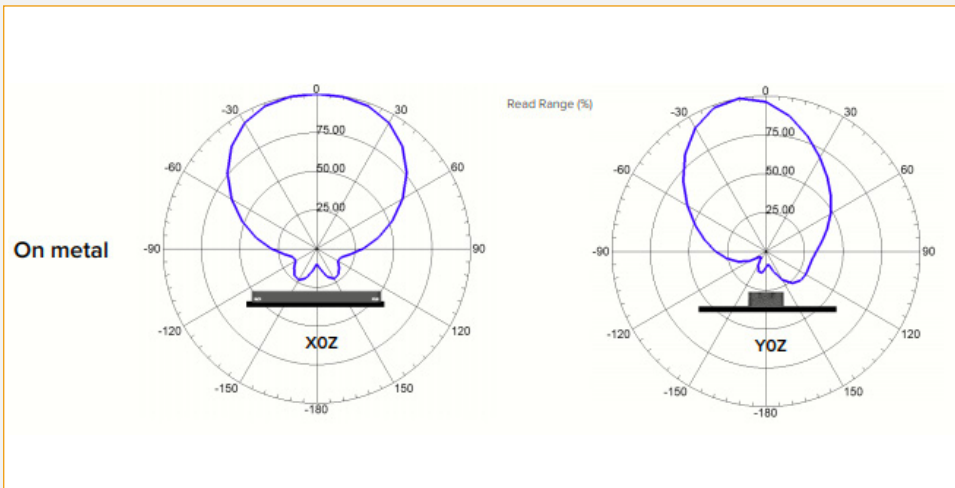
PRODUCT PICTURES



MECHANICAL VIEW



RADIATION PATTERN



ORDER CODES

VERSIONS	ORDER CODES
Log EU: 865 – 868 MHz	HCT-P0110-EU
Log US: 902 – 928 MHz	HCT-P0110-US

iDTRONIC GmbH
Ludwig-Reichling Straße 4
67059 Ludwigshafen
GERMANY

Phone +49 (0) 621 66 90 09 4-0
Fax +49 (0) 621 66 90 09 4-9
E-Mail: info@idtronic-rfid.com
Web: idtronic-rfid.com

For further information & prices, please contact info@idtronic-rfid.com

Subject to alteration without prior notice
©2020 iDTRONIC GmbH