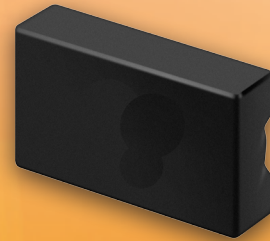


SPECIAL RFID TAG PLUTO EMBED TAG



APPLICATIONS

- Electronic Device Management
- Embedded Bolt Identification
- Hand Tool Tracking
- Molds Management

FEATURES

- Compact Size for smaller Applications
- Up to 3 Meters Reading Range
- Embedded Epoxy Potting, Injection Moulding or Plastic Packaging
- IP68 Protection Class

RFID OPTIONS

- UHF: ISO 18000-63, EPC Class 1 Gen2
- 865 – 868 MHz (EU); 902 – 928 MHz (US)

PRODUCT DESCRIPTION

The Pluto Embed Tag has an excellent performance for its small size. They are optimized for embed in metal assets such as Tool tracking, Electronic device tracking and molds management. The design makes the tag more survivable in demanding industrial environments.

The integrated RFID UHF reader supports ISO 18000-63, EPC Class 1 Gen2 in the frequency areas 865 – 868 MHz (EU); 902 – 928 MHz (US). It achieves high reading ranges of up to 3 meters at on-metal and up to 2 meters on off-metal applications.

Its robust IP68 ceramic housing has a good resistance against salt water, bleach, bleaching solutions, formic acid, gasoline, oil, shocks and falls from a height of up to 1.2 meters.

Optionally we offer labelling or self-adhesive sticker on the background. We can also encode your RFID tags using Standard, NDEF or Crypto-Coding.

APPLICATION EXAMPLE



TECHNICAL DATA

ELECTRICAL SPECIFICATIONS

Operating Frequency	UHF: 865 – 868 MHz (EU) 902 – 928 MHz (US)
RF Protocol	ISO 18000-63, EPC Class 1 Gen2
Chip Type	Alien Higgs-3
Memory Configuration	96-EPC Bits extensible to 480 Bits 512 User Bits 64 Bit Unique TID
Reading Range	On-Metal: Up to 3 Meters* Off-Metal: Up to 2 Meters*
Polarization	Linear

MECHANICAL SPECIFICATIONS

Dimensions	11.5 × 6.8 × 3 mm ±0.2
Weight	1.14 g
Housing Material	Ceramic
Housing Colour	Painted Black
Mounting Options	<u>Embedded</u> <ul style="list-style-type: none">Epoxy potting (Recommended hole size: ø 15 × 3 mm) <u>Others</u> <ul style="list-style-type: none">Injection MouldingPlastic Packaging

*READING DISTANCE DEPENDS ON ANTENNA AND ENVIRONMENTAL CONDITIONS.

ENVIRONMENTAL SPECIFICATIONS

Operating Temperature	- 40 °C to + 85 °C
Survivability Temperature	- 50 °C to + 200 °C
Protection Class	IP 68 (20 °C, 4 m, 48 h)
Humidity	5% to 95% non-condensing
Shock & Vibration	MIL STD 810-G
Drop Specifications	Multiple drops to concrete: 1.2 m across the operating temperature range
Withstands exposure to	Salt water, Bleach, Cleaning solutions, Formic acid, Gasoline, Oil

APPLICABLE STANDARDS

RoHS 2	EC Guideline 2011/65/EU and amendment 2015/863/EU, updated by 2017/2102/EU EN 50581:2012 (valid till 2024-07-07) EN 63000:2018
REACH	EU Guideline 1907/2006, updated by 2020/171/EU
Certificates	CE, FCC
ATEX	Optional

AVAILABLE ICS

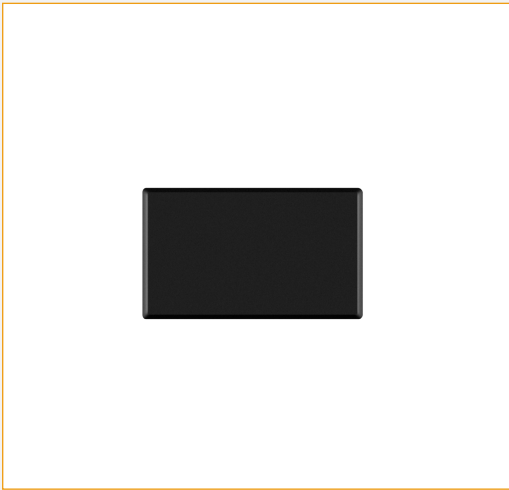
UHF: 865 – 868 MHz (EU) | 902 – 928 MHz (US)

IC TYPE	MEMORY	MODE
Alien Higgs® 3	512 bits	EPC Global Gen2 ISO/IEC 18000-63

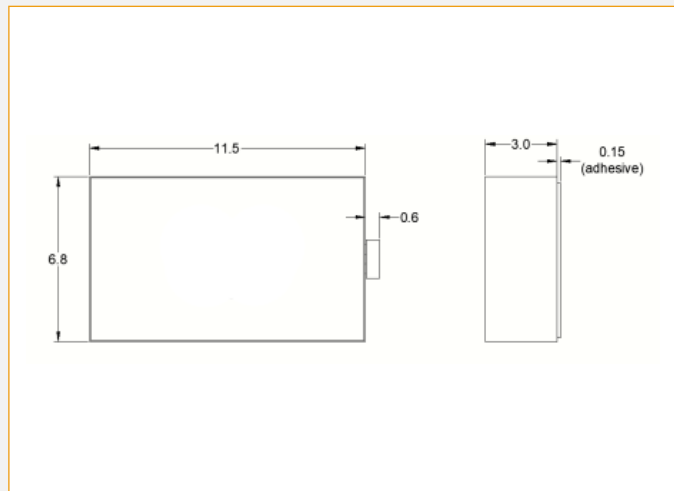
PERSONALIZATION OPTIONS

- Pre-Encoding
- Labelling
- Self-Adhesive

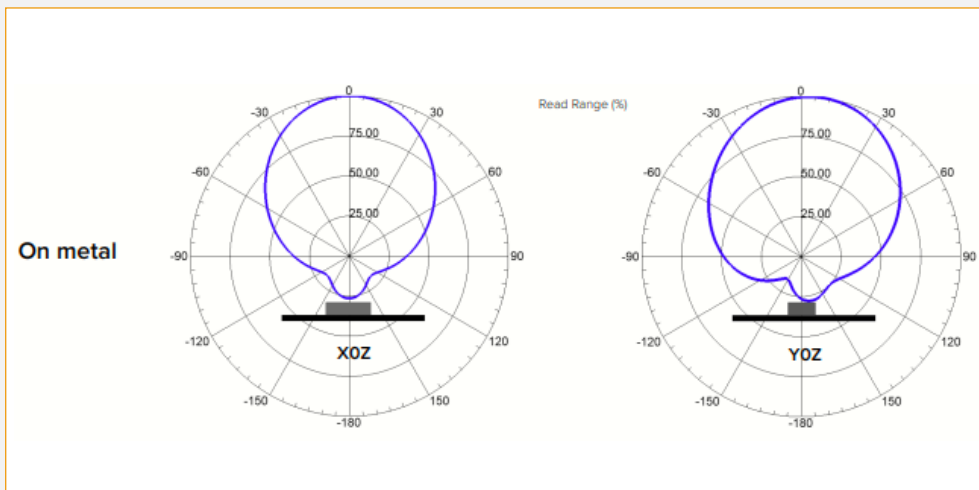
PRODUCT PICTURES



MECHANICAL VIEW



RADIATION PATTERN



ORDER CODES

VERSIONS	ORDER CODES
Pluto Embed EU: 865 – 868 MHz	HCT-C0201-EU
Pluto Embed US: 902 – 928 MHz	HCT-C0201-US

iDTRONIC GmbH
Ludwig-Reichling Straße 4
67059 Ludwigshafen
GERMANY

Phone +49 (0) 621 66 90 09 4-0
Fax +49 (0) 621 66 90 09 4-9
E-Mail: info@idtronic-rfid.com
Web: idtronic-rfid.com

For further information & prices, please contact info@idtronic-rfid.com

Subject to alteration without prior notice
©2020 iDTRONIC GmbH