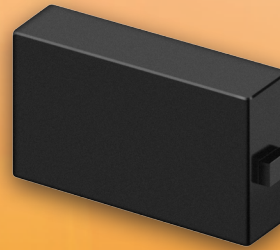


SPECIAL RFID TAG PLUTO TAG



APPLICATIONS

- Production Fixture Management
- IT Assets Management
- Hand Tool Tracking
- Molds Management
- On-Metal Applications

FEATURES

- Robust Ceramic Housing
- Up to 3.5 Meters Reading Range
- Adhesive Fixing, Moulding Embedded or Heat-Shrinkable Tubing
- IP68 Protection Class

RFID OPTIONS

- UHF: ISO 18000-63, EPC Class 1 Gen2
- 865 – 868 MHz (EU); 902 – 928 MHz (US)

PRODUCT DESCRIPTION

The Pluto Tag is a compact size, high temperature and high-performance tag. It is optimized for placement on metal assets such as Tool tracking, IT asset tracking and molds management.

The integrated RFID UHF reader supports ISO 18000-63, EPC Class 1 Gen2 in the frequency areas 865 – 868 MHz (EU); 902 – 928 MHz (US). It achieves high reading ranges of up to 3.5 meters that enables automatic tracking for improved productivity.

Its robust IP68 ceramic housing has a good resistance against salt water, bleach, bleaching solutions, formic acid, gasoline, oil, shocks and falls from a height of up to 1.2 meters.

Optionally we offer a label printing. We can also encode your RFID tags using Standard, NDEF or Crypto-Coding.

TECHNICAL DATA

ELECTRICAL SPECIFICATIONS

Operating Frequency	UHF: 865 – 868 MHz (EU) 902 – 928 MHz (US)
RF Protocol	ISO 18000-63, EPC Class 1 Gen2
Chip Type	Alien Higgs-3
Memory Configuration	96-EPC Bits extensible to 480 Bits 512 User Bits 64 Bit Unique TID
Reading Range	Up to 3.5 Meters*
Polarization	Linear

MECHANICAL SPECIFICATIONS

Dimensions	12 × 6.8 × 3.2 mm ±0.2
Weight	1.14 g
Housing Material	Ceramic
Housing Colour	Painted Black
Mounting Options	<u>Adhesive Fixing</u> <ul style="list-style-type: none">• VHB Tape (Std)• Silicone sealants• Epoxy <u>Others</u> <ul style="list-style-type: none">• Injection moulding• Heat-shrinkable tubing

*READING DISTANCE DEPENDS ON ANTENNA AND ENVIRONMENTAL CONDITIONS.

ENVIRONMENTAL SPECIFICATIONS

Operating Temperature	- 40 °C to + 85 °C
Survivability Temperature	- 50 °C to + 200 °C
Protection Class	IP 68 (20 °C, 4 m, 48 h)
Humidity	5% to 95% non-condensing
Shock & Vibration	MIL STD 810-G
Drop Specifications	Multiple drops to concrete: 1.2 m across the operating temperature range
Withstands exposure to	Salt water, Bleach, Cleaning solutions, Formic acid, Gaso- line, Oil

APPLICABLE STANDARDS

RoHS 2	EC Guideline 2011/65/EU and amendment 2015/863/EU, updated by 2017/2102/EU EN 50581:2012 (valid till 2024-07-07) EN 63000:2018
REACH	EU Guideline 1907/2006, updated by 2020/171/EU
Certificates	CE, FCC
ATEX	Optional

AVAILABLE ICS

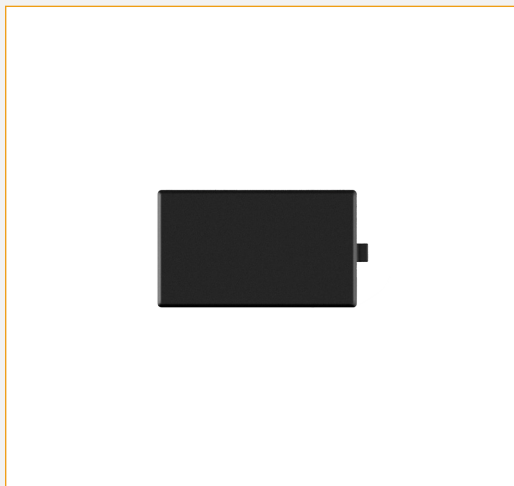
UHF: 865 – 868 MHz (EU) | 902 – 928 MHz (US)

IC TYPE	MEMORY	MODE
Alien Higgs® 3	512 bits	EPC Global Gen2 ISO/IEC 18000-63

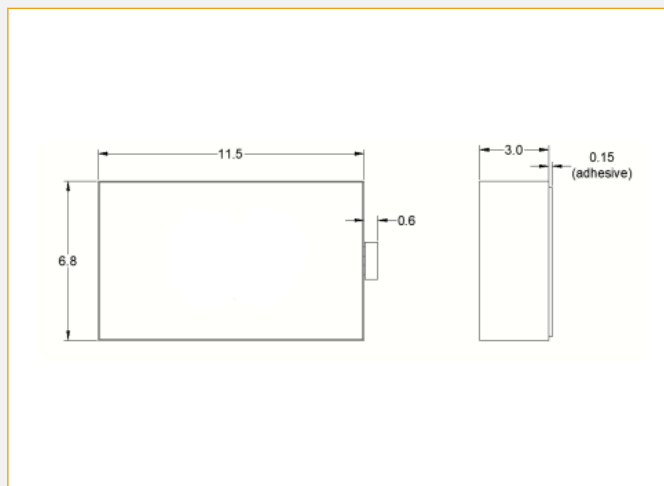
PERSONALIZATION OPTIONS

- Pre-Encoding
- Label with Printing

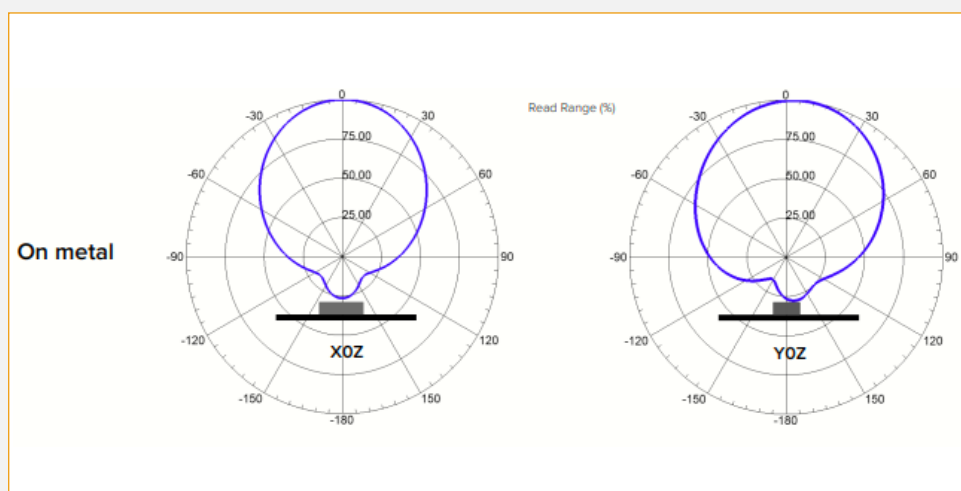
PRODUCT PICTURES



MECHANICAL VIEW



RADIATION PATTERN



ORDER CODES

VERSIONS	ORDER CODES
Pluto EU: 865 – 868 MHz	HCT-C0200-EU
Pluto US: 902 – 928 MHz	HCT-C0200-US

iDTRONIC GmbH
 Ludwig-Reichling Straße 4
 67059 Ludwigshafen
 GERMANY

Phone +49 (0) 621 66 90 09 4-0
 Fax +49 (0) 621 66 90 09 4-9
 E-Mail: info@idtronic-rfid.com
 Web: idtronic-rfid.com

For further information & prices, please contact info@idtronic-rfid.com

Subject to alteration without prior notice
 ©2020 iDTRONIC GmbH