

Electronic Lock

ID LOCK 5000



PRODUCT DESCRIPTION

The ID LOCK 5000 is an electronic locking system with a convenient combination lock code for the uncomplicated locking of cabinets and safe deposit boxes. Because it is important to us that your sensitive data and valuables are safe from unauthorized third parties. Thanks to its unobtrusive design and robust feel, the lock can be easily installed in various materials. Thus, the ID LOCK 5000 can be installed in wooden cabinet doors as well as in steel furniture. Thanks to its ergonomic and high-quality design, it is not for nothing that it is one of the most practical locking systems on the market.

Multiusermode

This mode is particularly suitable for constantly changing users who use the compartment temporarily or only once. The PIN code is therefore only valid for a single locking operation and is automatically deleted by the locker during the opening process. Thus, the multi-user mode is ideal for swimming pool and spa visitors.

Private mode (default)

In this mode, the lock is permanently assigned to a single user. assigned to a single user. This user is now permanently authorized to operate the lock.

Battery warning

By illuminating a red LED signal light during pin entry, the device indicates the falling battery voltage. It is recommended to change the battery as soon as the lock indicates a low level. If the battery level reaches the critical range, the ID LOCK 5000 can no longer be operated.

Lock mode

If the code is entered incorrectly for the fourth consecutive time, the lock will automatically be locked for 1 minute. During this time, any attempted pin entry will be rejected by the lock.

APPLICATIONS

- Gyms
- Swimming pools
- Office buildings
- Schools

Highlights

- 2 installation variants (Retro-Fit + Flush-Fit)
- Pin code lock with Master code
- Battery drawer can be replaced from the outside
- Different transoms for every installation situation
- Private mode or free locker choice
- Max. door thickness 22 mm

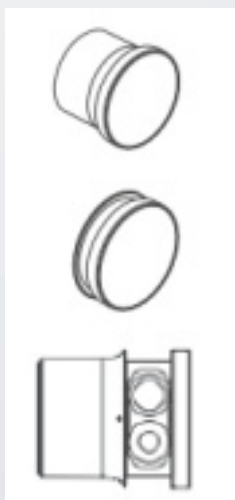
TECHNICAL DATA

ELECTRICAL SPECIFICATIONS	
Bolt type	B
Battery	1/2 AA Varta (2x)
Dynamic current	< 120 mA
Locking direction	Left (90°)
Lock fastening	M19 nut (1x)
Closing Cycles	3.000
Programming	Private mode, Multiuser mode
Pin (default)	1234
Mastercode (default)	4321
No. of PINs	max. 1
No. of master codes	max. 1
PIN / master code length	4 to 15 digits

MECHANICAL SPECIFICATIONS	
Dimensions	50mm diameters
Installation dimensions	16 mm x 19 mm
Material	Case: Zamak Bolt: Stainless steel
Maximum door thickness	22 mm
Default Mode	Private Mode
Scope of delivery	1x locking system 1x Bolt type B 1x M19 nut 1x Manual (digital) 1x Rotational protection

ORDER CODES

DESCRIPTION	ORDER CODES
ID LOCK 5000	R-EA-EEL-5000-HF



Retro-Fit

The Retro-Fit installation allows easy and almost tool-free replacement of the existing locks. Fast and cost-effective.

Flush-Fit

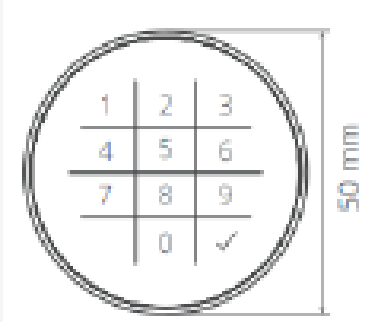
The ID LOCK 1000 can be recessed into a furniture front and screwed in place with the ID LOCK 1000-Ring. The lock stands out discreetly from the front.

Battery Drawer

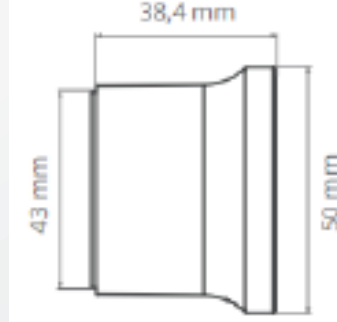
The batteries can be changed from the outside in both installation situations without having to unlock the lock.

MECHANICAL VIEW

FRONT VIEW



RETRO FIT



FLUSH FIT



RETRO FIT



FLUSH FIT

