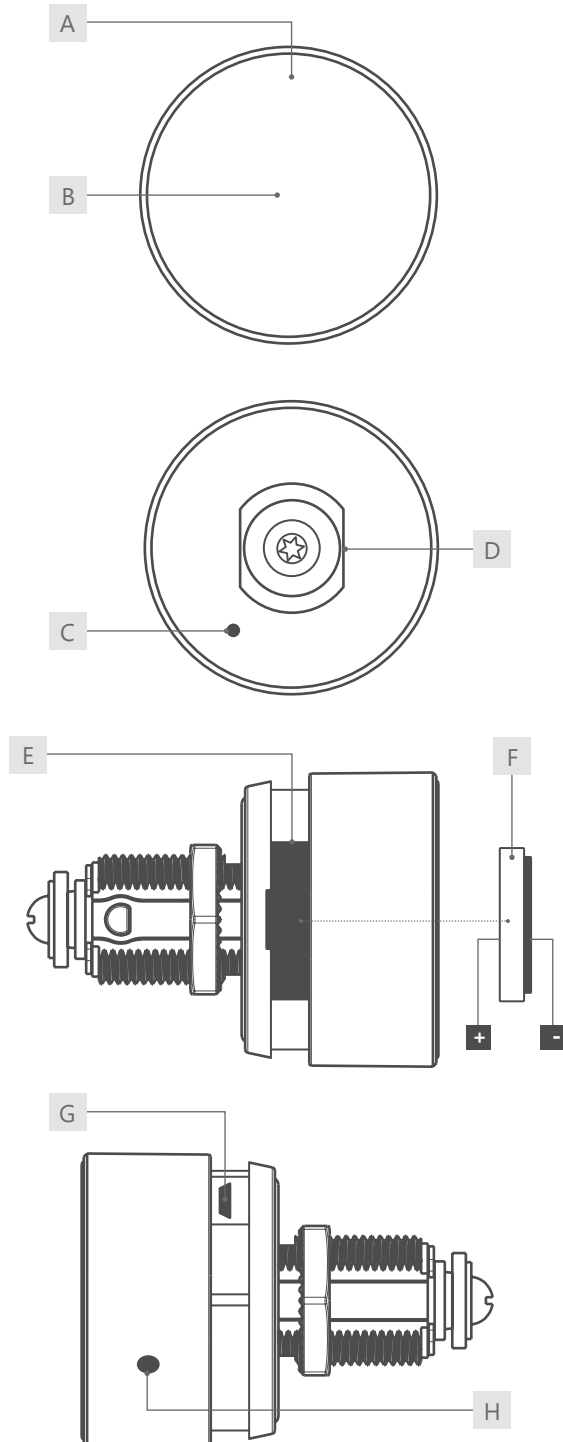




ID LOCK 6000
Manual

ID LOCK 6000



- | | |
|------------------|----------------|
| A LED | B RFID-Antenna |
| C Reset-hole | D Stator |
| E Battery case | F Battery |
| G Micro-USB port | H Opening-hole |

Content

Introduction.....	2
General.....	2
Technical Data.....	3
Scope of Delivery.....	3
Optional accessories.....	3
Default-settings.....	3
Features.....	3
Dimensions.....	3
Description.....	4
Configuration.....	4
Operation.....	5
Emergency Power Supply.....	5
Battery change.....	5
Reset to factory settings.....	6
Disposal- and battery-instructions.....	6

Introduction

The **ID LOCK 6000** is the electronic RFID locking system for convenient and secure locking of cabinets and lockers. It can be easily installed in both wooden and steel furniture. With its user-friendly operation, the lock simplifies everyday life and stands out with its high-quality design and ergonomic handling. Thanks to its easy retrofit capability and interchangeable bolt, the lock can be easily adapted to any installation situation.

Important: Please pay attention to all warning notices and read the entire operating manual before starting the configuration.

General

The latest version of this manual is available at:
www.idtronic-wellfit.de
www.idtronic-secureaccess.de

Data Sheet

Frontal view



Rear view



Technical Data	
Dimensions	Ø 43,3 mm
Battery	VARTA1 CR2450 (1x)
Closing Cycles ¹	2.000
Temperature range	-20° C to 55° C rel. humidity: 10% - 85%
Mode	Multiuser-mode, Private-mode
Material	Casing: Zamak Front cap: plastic Bolt: steel
Installation dimensions	16 mm x 19 mm
Fastening	M19 Nut (1x)
Closing directions	Left (90°), Door-hinge: DIN-right
Bolt-type	B
Max. Door-thickness	18 mm
RFID-Variant	MIFARE® Classic / Desfire EV II (only reading)
Amt. Mastercards	max. 3
Amt. Managercards	max. 2
Amt. Usercards	max. 6

Scope of delivery

- 1x Closing system
- 1x Bolt fastening screw² M4 x 8 mm
- 1x Shim 12 mm (DIN 9021 M4)
- 1x M19 Nut
- Bolt type B, at

Single Packaging:

- 1x Length 53 mm, without crank (1-36 RIH-501 G)
- 1x Length 40 mm, with crank 3 mm (1-36 RIH-514 K)
- 1x Length 40 mm, with crank 6 mm (1-36 RIH-515 K)

Industry packaging: Bolt order-related

¹ The lock is approved for use with VARTA brand batteries. The use of other batteries may result in a reduced number of possible locking cycles.

² The use of a screw with a different length may lead to damage to the lock

Optional accessories

- Opening- and reset-PIN
- Anti-twist-protection (W-MSZ-01)
- Function card "Mode change"

Default-settings

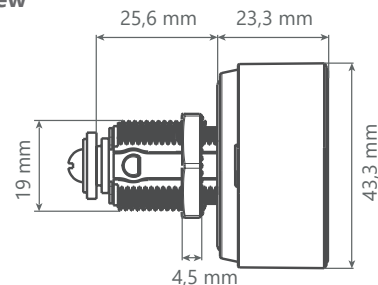
Mode	Private-mode
------	--------------

Features

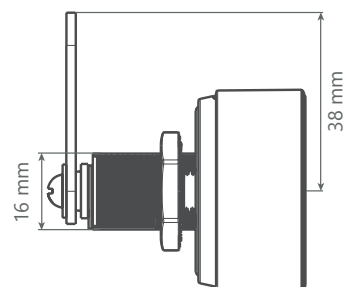
- Ergonomic handling and high-quality design
- External battery access and battery replacement
- RFID standard: MIFARE® Classic / MIFARE® Desfire EV II
- Easy retrofit capability, e.g., for replacing mechanical lever locks
- Adjustable bolt in 45° increments
- Emergency power supply via Micro-USB connection

Product dimensions

Side view



Plan view



Operation

Mode: Fixed Authorization (Private-mode)

In this mode, a specific transponder medium is pre-set to operate the lock. This mode is suitable for user groups where user permissions should not change permanently, such as in an office cabinet. The lock can be opened using the stored transponder medium. Unregistered transponder media will be rejected by the lock. To open, the transponder medium is held in the middle in front of the lock. To close, the knob is turned back (counterclockwise) until the bolt engages.

Mode: Multiuser Authorization (Multiuser-mode)

This mode is suitable for changing user groups where the compartment is only temporarily or once used, such as in a sports facility. Transponder media are valid for a single locking operation and are deleted by the lock when the compartment is reopened, allowing a new transponder medium to be used. The bolt remains open until a new transponder medium relocks the lock. Before locking, the door must be closed and the knob turned counterclockwise. To close, the transponder medium is held in the middle in front of the lock. The LED starts blinking. The lock can only be opened with the same transponder medium.

Master-card

The master-card can open the lock regardless of the set mode (emergency opening). In Multiuser-mode, the transponder medium used for closing is deleted by the lock. The master-card also has the authorization to add and remove user-cards in private-mode, as well as to delete all enrolled cards.

Manager-card (Private-mode)

The manager-card can open the lock regardless of the set mode (emergency opening).

Mode-card

The mode-card can be used to switch between modes. The mode-card is held in the middle in front of the knob. The mode changes automatically.

LED Locking Indicator

When the lock is locked, the green LED flashes briefly every three seconds.

Battery Warning

If the battery voltage drops below a certain level, the LED briefly lights up when a transponder is presented. If the voltage falls into the critical range, the lock can no longer be operated.

Configuration

Please carefully note the following instructions before starting the configuration:

- The first card held in front of the lock during initialization is saved as the master-card.
- Mode switching and resetting using the reset-PIN can only be done when the lock is disassembled.

1 Enrolling Cards

a) Master-card

1. Insert the battery into the lock (page 6, "Battery Replacement").
2. Hold the card to be enrolled in the middle in front of the knob.
3. A beep sound confirms the successful process.

Note: A maximum of 3 master-cards can be enrolled.

b) Manager-card (Private-mode)

1. Hold the master-card in front of the knob four times in a row. The green LED starts blinking.
2. Hold the card to be enrolled as a manager-card in the middle in front of the knob.
3. A beep sound confirms the successful process.
4. Wait until the LED stops blinking.

Note: A maximum of 2 manager-cards can be enrolled.

c) User-card (Private-mode)

1. Hold the master-card in front of the knob three times in a row. The green LED starts blinking.
2. Hold the card to be enrolled as a user-card in the middle in front of the knob.
3. A beep sound confirms the successful process.
4. Wait until the LED stops blinking.

Note: A maximum of 6 user-cards can be enrolled.

2 Card Deletion

During this process, all cards will be deleted from the lock. Cards cannot be deleted individually. The set mode remains active.

a) Per Reset-PIN

1. Briefly press the reset-PIN into the reset-hole on the back of the lock.
2. Two beep sounds confirm the successful process.
3. Remove the reset-PIN.

Note: The reset button can only be accessed when the lock is disassembled.

b) Per Master-card

1. Hold the master-card in front of the knob six times in a row.
2. Two beep sounds confirm the successful process.

3 Switching Modes (using the Mode-card)

1. Hold the master-card in front of the knob.
2. Hold the mode-card in front of the knob.
3. One long beep for private-mode or three long beeps for multiuser-mode confirm the successful process.
4. Remove the mode-card from the lock.

Note: During this process, all cards (master-cards, manager-cards, and user-cards) will be deleted.

Operation

1 Private-mode

a) Opening

1. Hold the user-card in front of the knob. A longer beep sound and the green LED confirm the successful process.
2. Within 3 seconds, turn the knob to the right (clockwise) and pull open the door.

Note: Unauthorized cards will be rejected by the lock with three consecutive beep sounds.

b) Closing

The lock will automatically close within 4 seconds. The LED briefly blinks. To close, turn the knob to the left (counterclockwise) until it locks into place.

2 Multiuser-mode

a) Closing

1. Hold the user-card in front of the knob. A beep sound and the red LED confirm the successful process.
2. To close, turn the knob to the left (counterclockwise) until it locks into place.

b) Opening

1. Hold the user-card in front of the handle, in the center. A longer beep and the green LED will confirm the successful process.
2. Rotate the handle clockwise within 3 seconds and pull open the door.

Note: Unauthorized cards will be rejected by the lock with three consecutive beeps.

Emergency Power Supply

If the batteries do not have sufficient voltage, an external power supply can be connected via the Micro-USB port. To do this, the touchpad needs to be connected to a power source such as a power adapter, notebook, or power bank using a Micro-USB cable. The lock can then be operated again.

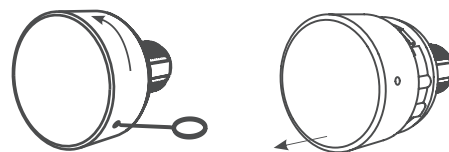
Note: We recommend replacing the batteries promptly.

Swapping Batteries

If the lock displays a low battery level, the battery should be replaced promptly.

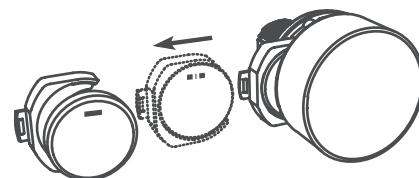
Note: The lock is approved for use with VARTA brand batteries. The use of other batteries may result in a reduced number of possible locking cycles.

1. Press the reset-PIN into the side opening of the lock according to the illustration. Rotate the housing slightly to the left and pull it forward.



2. Remove the battery compartment as shown in the illustration and replace the battery. Insert the battery according to the symbols (+ / -) (see page 2).

Note: The surface of the battery must be free from residue and fingerprints, as it may cause disturbances. If the surface is dirty, clean it with a dry cloth.

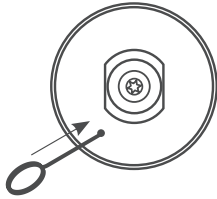


3. Insert the battery compartment and push the housing back onto the lock. Rotate the housing until it clicks into place.

Reset to factory settings

To reset, briefly press the reset-PIN into the reset-hole on the back. This process will delete all saved data from the lock.

Important: The reset-hole can only be accessed when the device is in a disassembled state.



Disposal- and Battery-Instructions

The EU Directive 2012/19/EU regulates the proper collection, treatment, and recycling of used electronic devices.

Every consumer is legally obligated to dispose of batteries, accumulators, or electrical and electronic devices ("waste equipment") separately from household waste as they contain pollutants and valuable resources. Disposal can be done at an authorized collection or return point, such as a local recycling center. Waste electrical and electronic equipment, batteries, or accumulators are accepted there free of charge and subjected to environmentally friendly and resource-efficient recycling.

Waste electrical and electronic equipment, used batteries, or accumulators can also be returned to us. The return shipment must be adequately postage-paid to the address provided below.

The following symbol on the waste electrical and electronic equipment, batteries, or accumulators indicates that they must not be disposed of in household waste:



Caution when using batteries!

The battery can explode or release flammable gases if mishandled, damaged, or if an incorrect battery type is used. Do not recharge the battery, disassemble it, expose it to extremely high temperatures, or throw it into a fire.

On batteries containing hazardous substances, you will find abbreviations indicating the presence of Cadmium (Cd), Mercury (Hg), and Lead (Pb) as ingredients.

iDTRONIC

Ludwig-Reichling-Straße 4
67059 Ludwigshafen am Rhein
+49 621 669 009 20
support@idtronic.zendesk.com