



Electronic Lock

ID LOCK 6000



PRODUCT DESCRIPTION

The ID LOCK 6000 is an electronic locking system designed for the locking of cabinets and valuables compartments. We prioritize the security of your sensitive data and valuable belongings, ensuring they are protected against unauthorized access. The ID LOCK 6000 can be installed in both wooden cabinet doors and steel furniture. With its ergonomic and high-quality design, it is one of the most practical locking systems available on the market.

Private-Mode

In this mode, the lock is permanently assigned to a single user, who is now authorized to operate the lock indefinitely.

Battery warning

When the device's battery voltage drops, a red LED signal light will illuminate to indicate the low battery level. It is recommended to perform the battery replacement as soon as the lock displays a low-level warning. If the battery level reaches the critical range, the ID LOCK 6000 will no longer be operable.

APPLICATIONS

- Office buildings
- Schools & Universities
- Healthcare /
Rehabilitation centers

FEATURES

- Ergonomic handling and highquality design
- External battery replacement
- Easy retrofitting, e.g., for replacing mechanical lever locks
- Latch adjustable in 45° increments
- Emergency power supply via Micro USB connection
- Compatible with MIFARE® Classic / Ultralight & NTAG technology

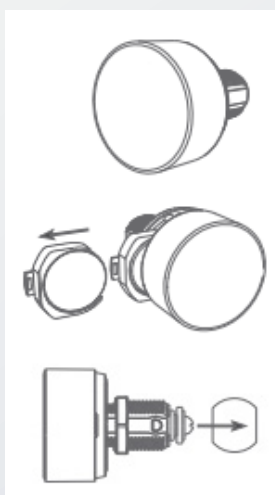
TECHNICAL DATA

ELECTRICAL SPECIFICATIONS	
Bolt type	B
Battery	CR2450 (1x)
Dynamic current	< 120 mA
Locking direction	Left (90°)
Locking cycles	2000

MECHANICAL SPECIFICATIONS	
Dimensions	43,3 mm Diameter
Installation dimensions	16 mm x 19 mm
Material	Casing: Zamak Front flap: Plastic Latch: Steel
Lock attachment	M19 Nut (1x)
Maximum door thickness	18 mm
Modus	Private Mode
Scope of delivery	1x Electronical Lock 3x bolts 1x Battery compartment adapter 1x Nut M10 1x Manual (digital)

ORDER CODES

DESCRIPTION	ORDER CODES
ID LOCK 6000	R-EA-EEL-6000-HF



Value

The Intro impresses with its selection of high-quality materials. Especially the solid metal knob convinces with its galvanic surface.

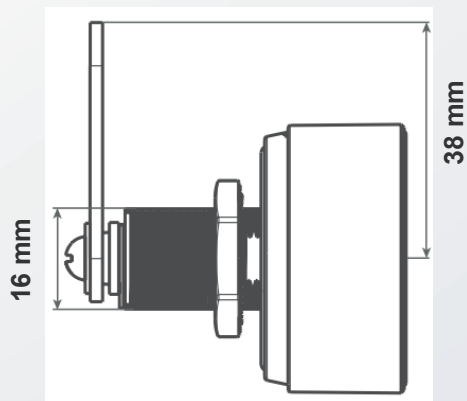
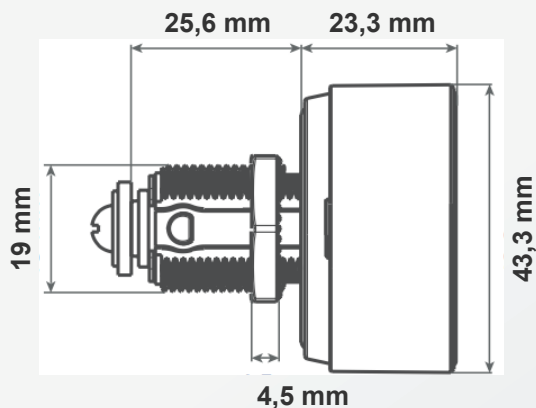
External battery replacement

The batteries can be changed from the outside, without unlocking. This ensures greater flexibility when it comes to maintaining the compartments.

Retrofit-Ready

Almost all lockers use a 16mm x 19mm mounting hole. Retrofitting is very easy here. Mechanics out - electronics in.

MECHANICAL VIEW



PRODUCT PICTURES

FRONT VIEW



REAR VIEW



SIDE VIEW



ACCESSORIES

