

## Turnstile

# ID GATE 6200

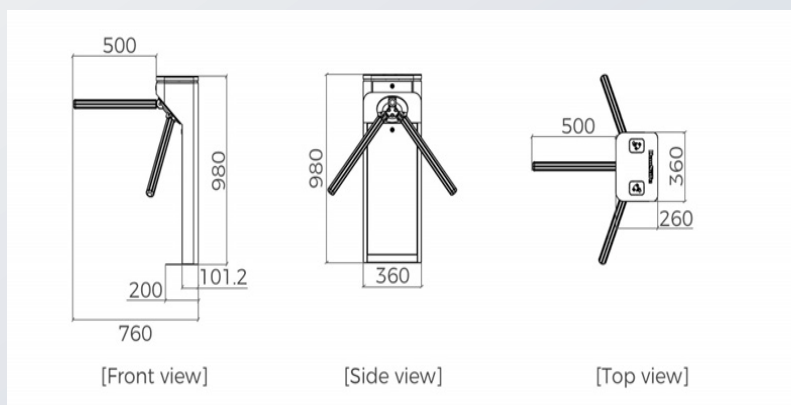


## PRODUCT DESCRIPTION

The ID GATE 6200 is a flexible and versatile turnstile for access control in various application areas such as office buildings, airports, public transportation, museums, stadiums, retail, and universities. It ensures reliable and effective access control for authorized individuals, thereby enhancing security.

The turnstile regulates access to sensitive areas and increases security in the mentioned application areas. If you're looking for a reliable solution for access control, then the ID GATE 6200 is a perfect choice.

## DIMENSIONS



## HIGHLIGHTS

- **Durability, high operational reliability and fast response**
- **Transponder or ticket-based input and output possible alternatively free-turning output**
- **Automatic anti-panic folding arms that guarantee free passage in emergency situations (e.g. power failure or fire alarm)**
- **Integrated LED indicators show the throughput direction**
- **3 year warranty**

## Accessories (Optional)

- **iDTRONIC R840 Ethernet**
- **QR Code Reader ID Ident 1500/2000**
- **Remote Control (Wired / Wireless)**
- **3rd party reader installation (z.B. MIFARE, LEGIC, EM, HID etc.)**

## TECHNICAL DATA

### SPECIFICATION

Dimensions	360 x 260 x 980mm
Passage width	550mm, (Arm length: 500mm)
Material	Stainless steel (304)
Power supply	AC230V/110V, 50/60Hz
Power consumption	20W
Operating voltage	24V DC
Throughput frequency	35 people per minute
Emergency Mechanismus	Automatic anti-panic folding arms
Communication interface	relay signal
Operating temperature	-20 °C up to 75°C
Protection class	IP65 (For indoor/outdoor use)
Scope of Delivery	<ul style="list-style-type: none"> <li>• Stainless steel Turnstile</li> <li>• Stainless steel barrier arms</li> <li>• Anchor Bolts (M12) + nuts</li> <li>• Wired remote control (for testing only)</li> <li>• Cleaning kit</li> </ul>

## DIMENSIONS INCLUDING BASE PLATE AND RAILING

### DIMENSIONS

Base plate with rollers	983* 710* 50mm
Completion Railing	340x 850mm
Material	Stainless steel (304)

## ACCESSORIES

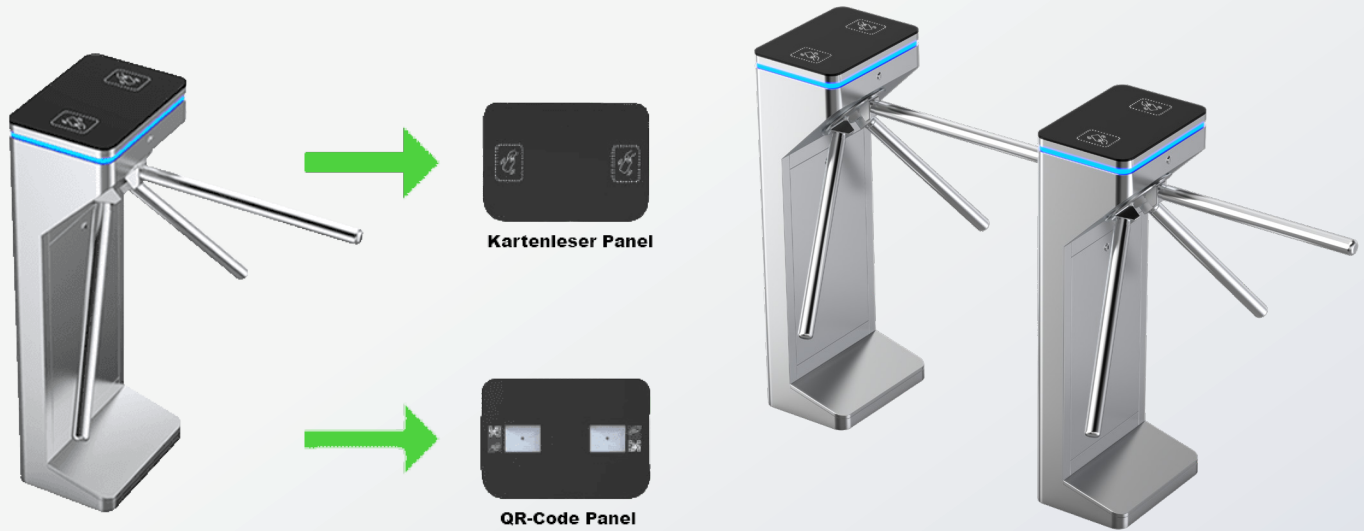
### PRODUCT ACCESSORIES

Accessories	<ul style="list-style-type: none"> <li>• iDTRONIC R840 Ethernet</li> <li>• QR Code Reader ID Ident 1500/2000</li> <li>• Remote Control (Wired /Wireless)</li> <li>• 3rd party reader installation (z.B. MIFARE, LEGIC, EM, HID etc.)</li> </ul>
-------------	---

IT IS EITHER POSSIBLE TO HAVE A CONTINUOUS PASSAGE (FREE EXIT), OR TO USE A COUNTER.

BOTH FUNCTIONS CANNOT BE INSTALLED SIMULTANEOUSLY.

## PRODUCT VIEW



## OPTIONAL ACCESSORY BASE PLATE

