

Electronic Locks

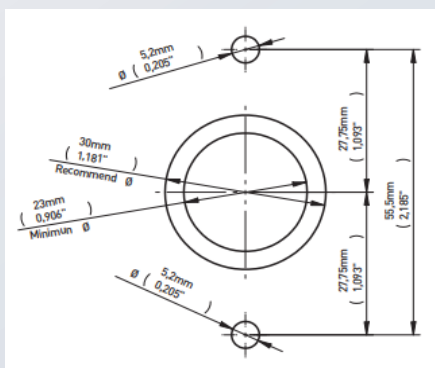
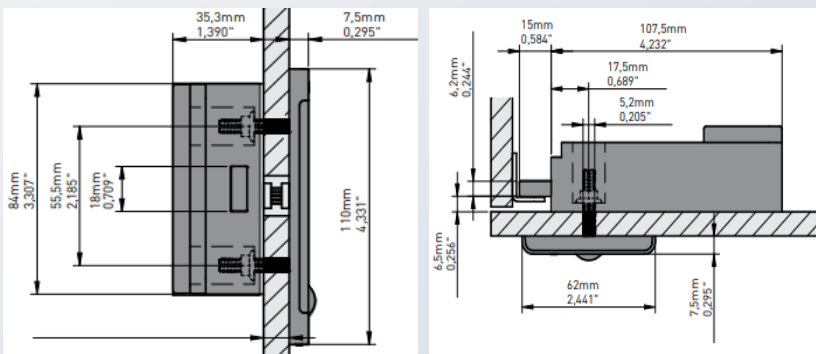
OCS PRO



PRODUCT DESCRIPTION

The OCS Pro is the latest generation of touch keypad lock from Ojmar; now with enhanced features, function and style. The OCS is the preferred solution worldwide for references such as Google, Fitness First, Toyota, Virgin Active to name a few. The latest addition to the family the OCS pro, builds on this heritage and quality making it the obvious choice where design, multiple features and reliability are key.

DIMENSIONS



APPLICATION

- Gym
- Swimming Pools
- Office Buildings
- School

FEATURES

- Long-lasting touch keypad, easy to clean
- Battery life: up to 5 years, with emergency power option
- 2 Modes: free / assigned mode
- Available in 3 finishes: silver, graphite and white
- Adjustable usage period
- IP55

TECHNICAL DATA

SPECIFICATION

Power Supply	4 Alkaline 1'5v AA batteries
Battery life	Up to 5 years (3 years with LED on)
Low battery warning	LED indicator
Battery override	External power supply for emergency opening.
Easy Programming	By Keypad or EKey + Software(option).
Modes	Free mode, assigned mode
Design	Integrated handle (non handle option available)
Protection class	IP55
Door Thickness	<24 mm For door thicknesses between 1mm and 8 mm, spacer is required
Finishes	Silver, Graphite, White
User Code length	4 to 6 digits
Dimensions	Front part: 62 x 110 x 10,10

ORDER CODES

DESCRIPTION	ORDER CODES
OCS PRO - Graphite	R-EA-EEL-OCS-PRO-GR
OCS PRO - Graphite (No Handle)	R-EA-EEL-OCS-PRO-GR-NH
OCS PRO - White	R-EA-EEL-OCS-PRO-WH
OCS PRO - White (No Handle)	R-EA-EEL-OCS-PRO-WH-NH
OCS PRO - Silver	R-EA-EEL-OCS-PRO-SI
OCS PRO - Silver (No Handle)	R-EA-EEL-OCS-PRO-SI-NH

PRODUCT IMAGES

