

Electronic Locks

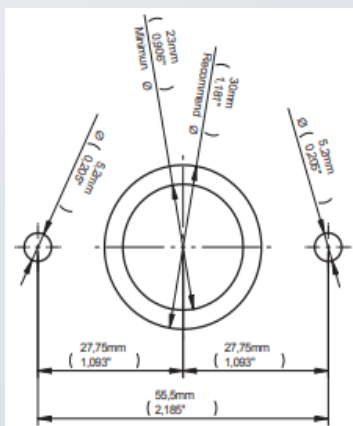
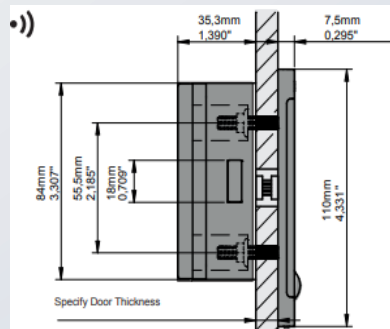
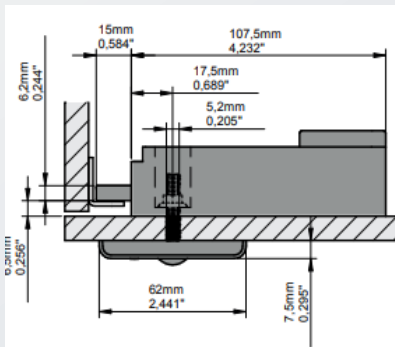
OCS SMART



PRODUCT DESCRIPTION

Experience robust security and convenience with the OCS®SMART Bluetooth® Keypad Electronic Lock. Combining advanced technology and sleek design, this lock provides maximum precision and protection for your belongings. Enjoy peace of mind knowing your belongings are safeguarded with this lock's cutting-edge security features.

DIMENSIONS



APPLICATION

- Gym
- Swimming Pools
- Office Buildings
- School

FEATURES

- Access Options: Bluetooth or keypad, 1m range
- Dual technology: Smartphone use or keypad
- Long battery life: up to 5 years
- Rental mode: Configurable by locks in intervals of 15 minutes.
- External power override for emergency opening
- Automatic Opening
- IK09 / IP55

TECHNICAL DATA

SPECIFICATION

Authentication method	Code and Bluetooth
Reading distance	Up to 1 m (between phone and lock)
Communication standard	Bluetooth
Batteries (Type and quantity)	4x VARTA Type AA alkaline batteries
Battery Life	Up to 5 years at room temperature (depending on use and configuration)
Front handle dimensions	119 mm x 62 mm x 8 mm
Lock strength	1000 N
Weight	453 g (E-17.5 long screws) 481 g (E-30 long screws)
Finish	Silver RAL 9006 Graphite Pantone 8405 White AP-2101 DAYSALUX 554
Temperature	-10 °C to 42 °C (indoors)
Humidity	< 97 % (Non-condensing)
Protection class	IK09 / IP55
Door material	Laminate, Glass, Metal, HPL laminate, Melamine
Door thickness	< 24mm
Availability	Right/Left (Same lock) E-17.5 and E-30

ORDER CODES

DESCRIPTION	ORDER CODES
OCS SMART - Graphite	R-EA-EEL-OCS-SMA-GR
OCS SMART - Graphite (No Handle)	R-EA-EEL-OCS-SMA-GR-NH
OCS SMART - White	R-EA-EEL-OCS-SMA-WH
OCS SMART - White (No Handle)	R-EA-EEL-OCS-SMA-WH-NH
OCS SMART - Silver	R-EA-EEL-OCS-SMA-SI
OCS SMART - Silver (No Handle)	R-EA-EEL-OCS-SMA-SI-NH

PRODUCT IMAGES

