



Turnstile

ID GATE 9200

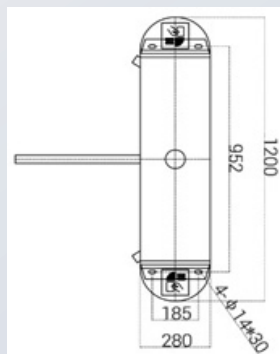
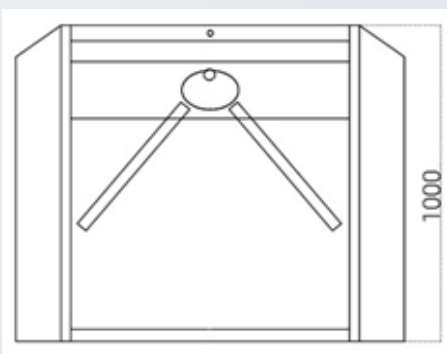


PRODUCT DESCRIPTION

The ID GATE 9200 turnstile is a flexible access control solution that can be used in various areas. In office buildings, airports, public transportation, stadiums, universities, museums and retail stores. Our solution helps to restrict access to certain areas to authorized persons only.

Thanks to its reliability and flexibility, the ID GATE 9200 turnstile is an excellent choice for anyone who needs secure access control.

DIMENSIONS



HIGHLIGHTS

- Long-lasting performance, high operational reliability and fast response
- Transponder or ticket-based input and output possible, alternatively free-turning output
- Automatic anti-panic folding arms that guarantee free passage in emergency situations (e.g. power failure or fire alarm)
- Integrated LED indicators show the throughput direction
- Indoor & Outdoor variant available
- 3 year warranty

ACCESSORIES (Optional)

- iDTRONIC R840 Ethernet
- QR Code Reader ID Ident 1500/2000
- Remote Control (Wired /Wireless)
- 3rd party reader installation (z.B. MIFARE, LEGIC, EM, HID etc.)

TECHNICAL DATA

SPECIFICATION

Dimensions	1280 x 280 x 1000mm (L x B x H)
Passage width	550mm (Arm length: 500mm)
Material / Protection Class	Stainless steel 304 (IP44) Indoor Stainless steel 312 (IP65) Outdoor
Power Supply	AC230V/110V, 50/60Hz
Power Consumption	20W-50W
Operating voltage	24V DC
Throughput Frequency	35-40 people per minute
Emergency Mechanismus	Automatic anti-panic folding arms
Communication Interface	relay signal
Operating Temperature	-15 °C up to 60 °C
Scope of Delivery	<ul style="list-style-type: none"> • Stainless steel Turnstile • Stainless steel barrier arms • Anchor Bolts (M12) + nuts • Wired remote control (for testing only) • Cleaning kit

IT IS EITHER POSSIBLE TO HAVE A CONTINUOUS PASSAGE (FREE EXIT), OR TO USE A COUNTER.

BOTH FUNCTIONS CANNOT BE INSTALLED SIMULTANEOUSLY.

ACCESSORIES (OPTIONAL)

PRODUCT ACCESSORIES

Accessories (Optional)	<ul style="list-style-type: none"> • iDTRONIC R840 Ethernet • QR Code Reader ID Ident 1500/2000 • Remote Control (Wired /Wireless) • 3rd party reader installation (z.B. MIFARE, LEGIC, EM, HID etc.)
------------------------	---

