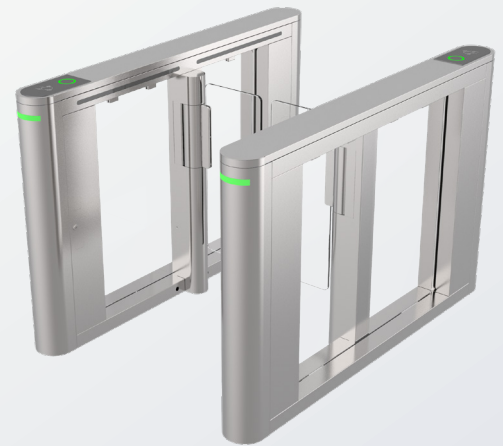




Speed Gate

## ID GATE 8800

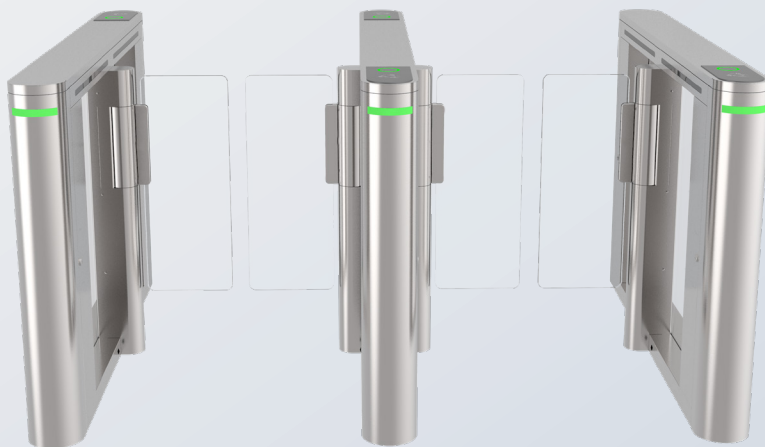


### PRODUCT DESCRIPTION

The Speed Gate ID GATE 8800 is a versatile access control solution that can be used in a variety of applications. In gyms, spas and health centers, the ID GATE 8800 can be used to restrict access and increase security.

Thanks to its innovative technology, ID GATE 8800 provides fast processing and control of access to protected areas. Thus, it creates a safe environment for visitors and authorized persons.

### IMAGES



### HIGHLIGHTS

- **Long-lasting performance, high operational reliability and fast response**
- **Features anti-tailgating and anti-reverse pass functions**
- **Supports „with memory“ or „without memory“ modes**
- **Gate re-locks automatically if no passage occurs within the set time**
- **Anti-clipping function prevents accidents when the gate is open or in motion**
- **Compatible with IC, ID cards, scanning, and face recognition**
- **Choose between open or closed functionality**
- **Supports various working modes, including one-way and two-way card reading**
- **3 year warranty**

## TECHNICAL DATA

### SPECIFICATION

Dimensions	1500 x 150 x 980mm
Pass Width	600 - 900mm
Material	Top $\delta$ =1.5mm Body $\delta$ =1.2mm
Bar Material	$\delta$ =10mm Acrylic Arm
Movement	Brushless Speed Gate movement
Power Supply	100-240 W
Operational Voltage	24V
Drive Unit	Brushless DC 60K 40W
Pass Rate	35 - 50 People per Minute
Sensor	6 pairs
Indicator Light	Dynamic indicator light
Communication Mode	Dry contact & RS485
Controls	Brushless control system (Optional Servo Brushless system)
Temperature	-25°C ~ +70°C
Humidity	$\leq$ 90% No condensation
IP	>IP65
Environment	Indoor

### DIMENSIONS

