

## Turnstile

# ID GATE 2200



## PRODUCT DESCRIPTION

Our ID GATE 2200 Single is a turnstile that can be used in various application areas such as parking garages, airports, public transportation, as well as industrial and manufacturing facilities.

The ID GATE 2200 Single is also employed in stadiums to control access to the Stadium, 24/7 Gyms, Indoorparks and VIP areas. Overall, the ID GATE 2200 is a reliable solution for access control that contributes to enhancing the security and comfort of visitors.

## HIGHLIGHTS

- **High operational reliability**
- **One-sided or two-sided operation**
- **Automatic reset function**  
(The turnstile is automatically locked within 5 seconds if the passenger delays entry)
- **Automatic anti-panic function that guarantees free passage in emergency situations**  
(e.g., power outage or fire alarm)
- **Indoor and outdoor use**
- **LED status display**
- **Remote Control**  
(Wired / Wireless)
- **3 year warranty**



Custom Logo

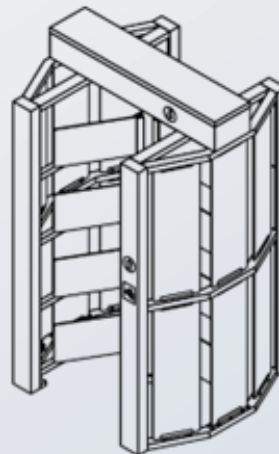
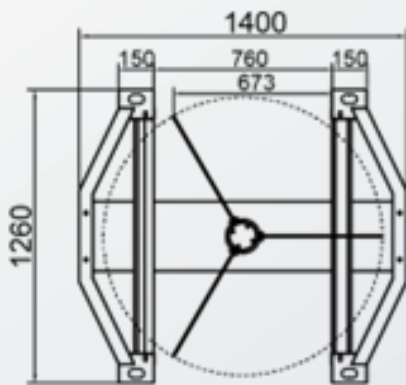
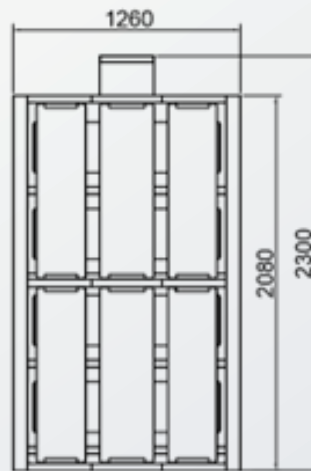
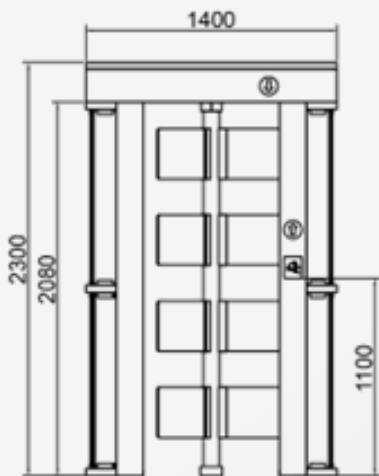
Manual control of entry direction

LED Light

Anti-trailing function: Only one person can pass at a time

High Security: Engineered to prevent climbing

## DIMENSIONS



## TECHNICAL DATA

### SPECIFICATIONS

Dimension	1400 x 1260 x 2300mm (L x W x H)
Passage width	673mm/passage
Direction	Single directional / Bi-directional
Material	Stainless steel (304) / Arcylic Arms
Power supply	AC220V/110V, 50/60Hz
Power consumption	40W
Operating voltage	24V DC
Throughput frequency	30 people per minute
Emergency mechanism	Arms will open automatically
Control interface	Relay signal
Protection Class	IP44
Net weight	200kg/piece
Operating temperature	- 15 °C up to 60 °C
Scope of Delivery	<ul style="list-style-type: none"> <li>• Stainless steel Turnstile</li> <li>• Acrylic Arms</li> <li>• Anchor Bolts (M12) + nuts</li> <li>• Wired remote control (for testing only)</li> <li>• Cleaning kit</li> </ul>