

Speed Gate

## ID GATE 5600

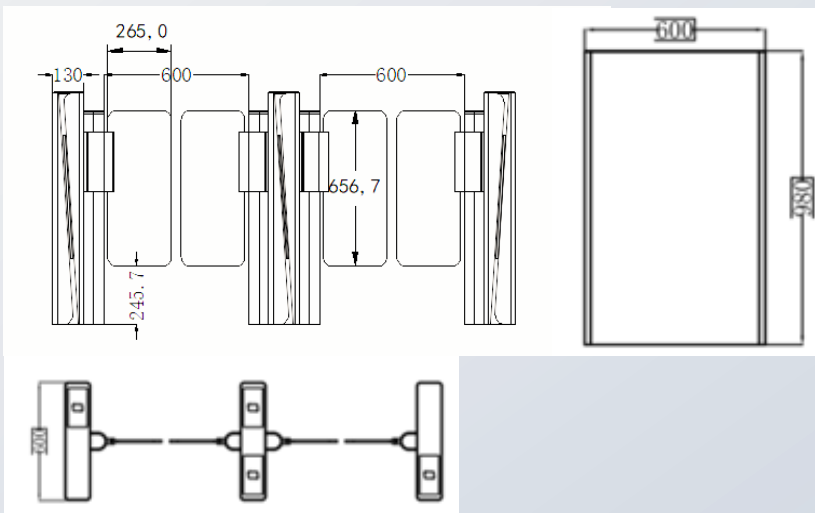


### PRODUCT DESCRIPTION

The Speed Gate ID GATE 5600 is a versatile access control solution that can be used in a variety of applications. In gyms, spas and health centers, the ID GATE 5600 can be used to restrict access and increase security.

Thanks to its innovative technology, ID GATE 5600 provides fast processing and control of access to protected areas. Thus, it creates a safe environment for visitors and authorized persons.

### DIMENSIONS



### HIGHLIGHTS

- Long-lasting performance, high operational reliability and fast response
- Automatic reset function
- Automatically opening wing door
- Fast opening and closing speed of 0.5 seconds
- RGB Lighting

### ACCESSORIES (Optional)

- iDTRONIC R840 Ethernet
- QR Code Reader ID IDENT 1500/2000
- Remote Control (Wired / Wireless)
- 3rd party reader installation (e.g. MIFARE, LEGIC, EM, HID etc.)

## TECHNICAL DATA

### SPECIFICATION

Dimensions	600 x 130 x 980mm
Material	Aluminum alloy
Glass Material	10mm clear acrylic / Tempered Glass
Pass Width	600 - 900mm
Height from Ground (Upper Part)	900mm
Height from Ground (Lower Part)	245mm
Movement	Servo Speed Gate Movement
Power Supply	24V / 500W
Input Voltage	AC100V ~ 240V, 50/60HZ
Drive Unit	Brushless Servo Motor
Pass Rate	35 - 50 People per Minute
Open Speed	0.5s / 1.5s
Sensor	6 pairs
Clutch size	φ=80mm
Lighting	RGB light
Communication Mode	RS485
Controls	Servo Control System
Noise	≤65dB
Temperature	-20°C ~ +70°C
Humidity	≤90% No condensation
IP	IP4X
Environment	Indoor

## DIMENSIONS

### DIMENSIONS

Acrylic Glass / Tempered Glass	Standard:
	<ul style="list-style-type: none"> <li>• 2x 265 x 656,7 mm (600mm passage width; 980mm height)</li> <li>• 2x 425 x 1000 mm (900mm passage width; 1300mm height)</li> </ul>

